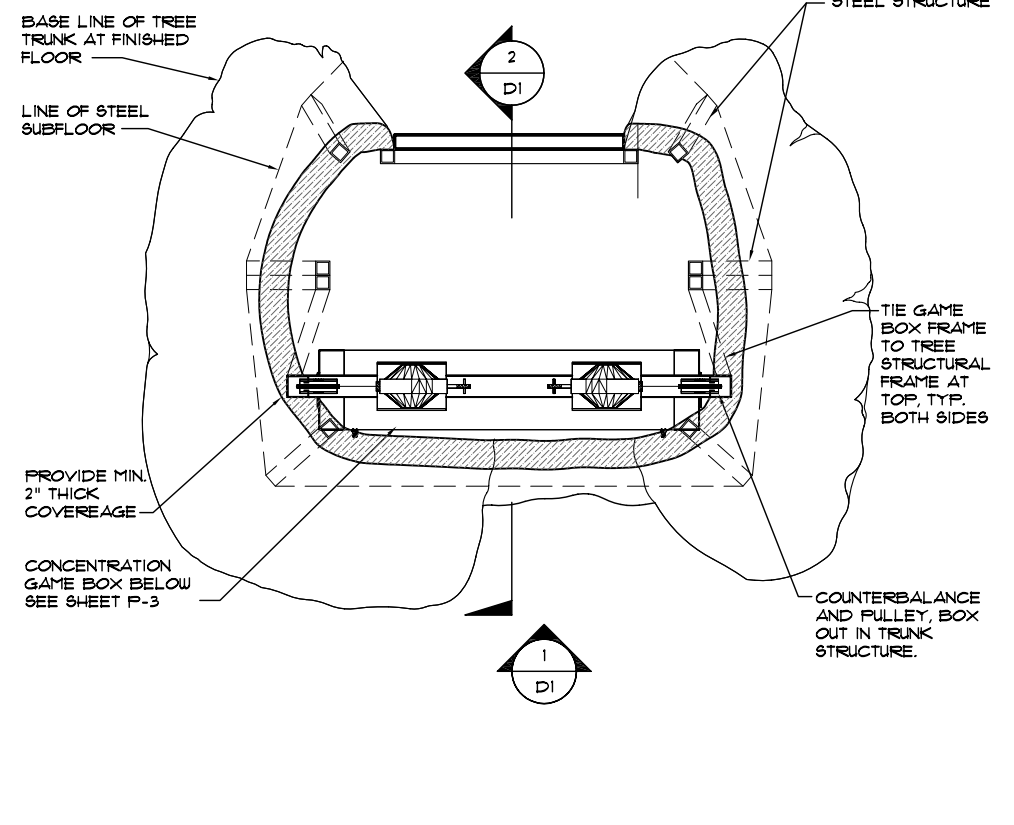


PLAN

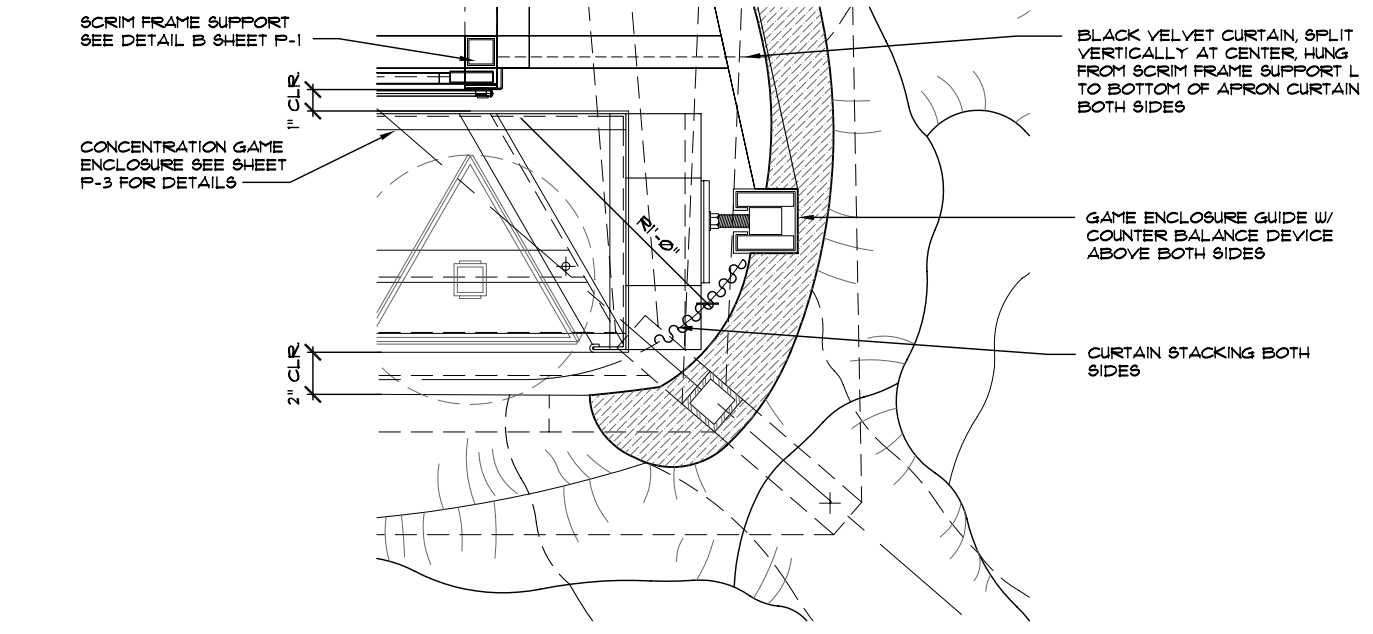


1

PLAN SECTION



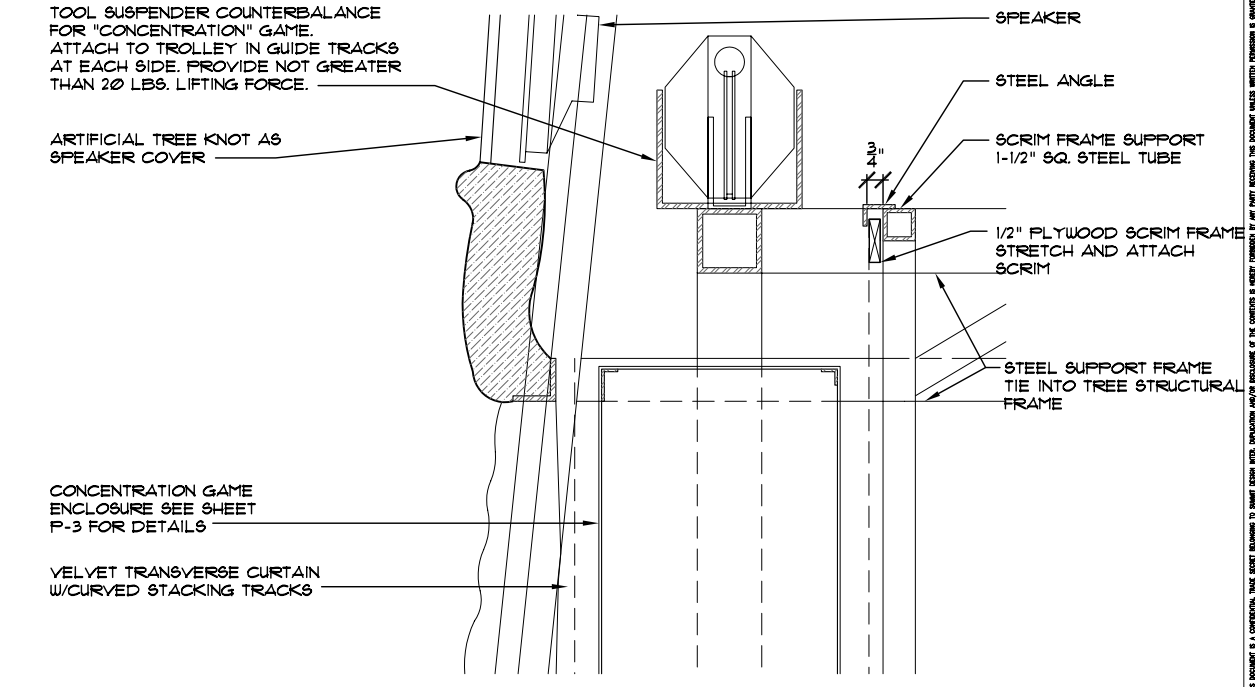
2



DETAIL



A



DETAIL



B

4416 WINDMILL WAY  
LA CANADA, CA 91011  
TEL: 909.941.1111

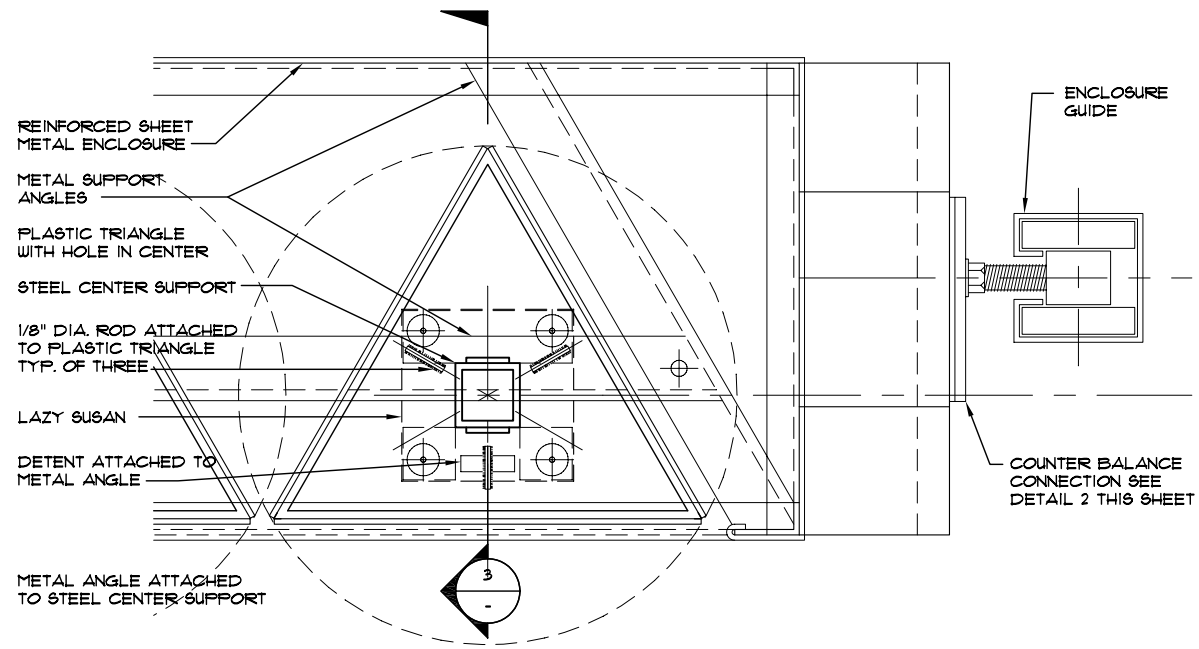
NO.	DESCRIPTION	DATE

Highland Sam Racadio Library & Environmental Learning Center  
7863 Central Avenue, Highland, California  
CITY OF HIGHLAND  
27215 Baseline Street  
Highland, California 92346

SHEET TITLE: PLAN AND SECTION  
PROJECT TITLE: THEMED PUPPET AND GAME DISPLAY UNIT

SHEET NO. D2  
DATE 12-19-07  
SCALE AS NOTED  
SHEET 2 OF 5  
REVISION NO. Δ



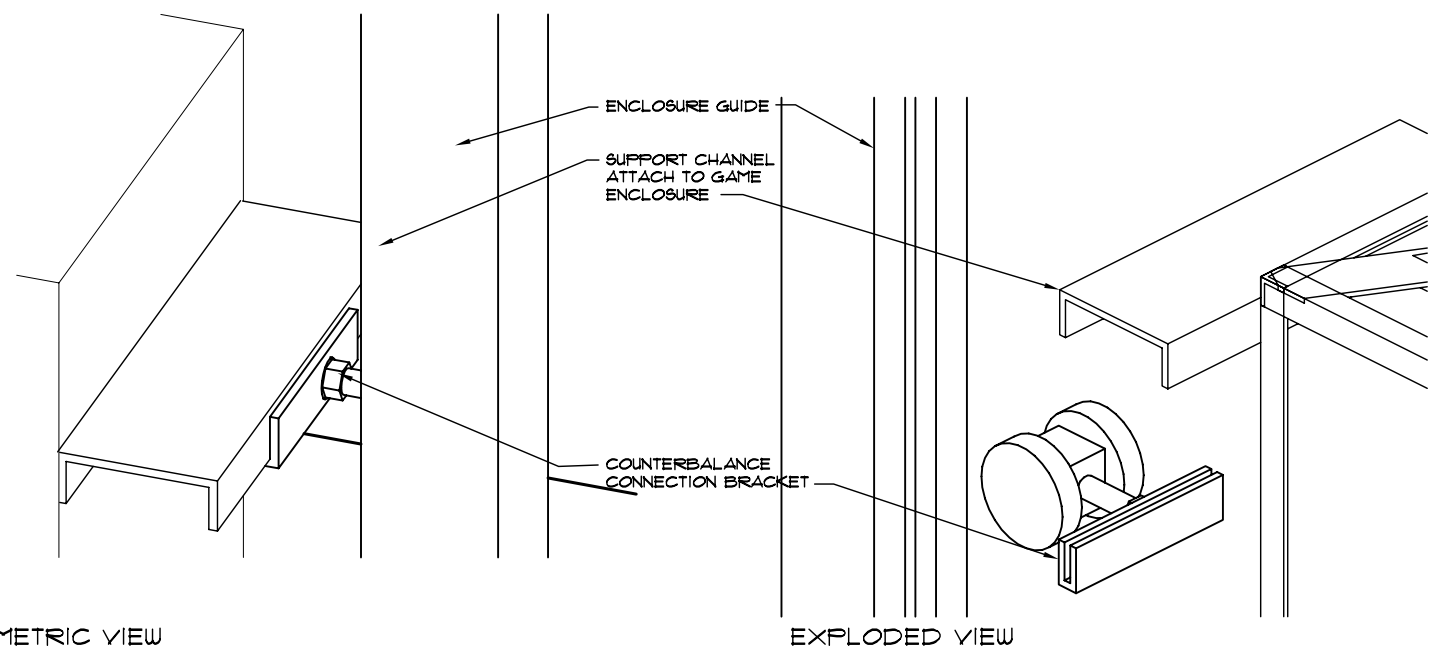


PLAN



1

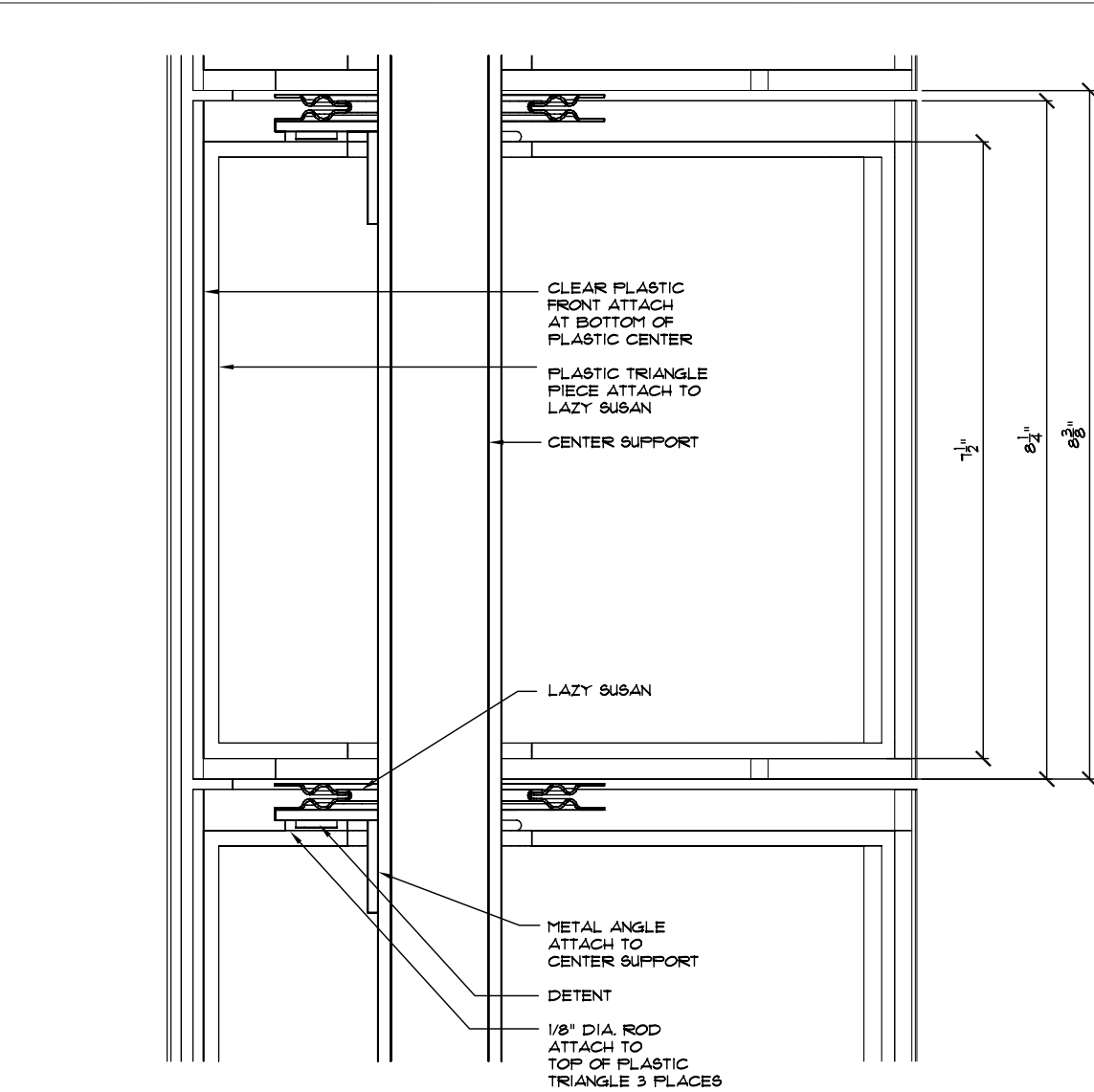
COUNTER BALANCE CONNECTION



ISOMETRIC VIEW

EXPLODED VIEW

2

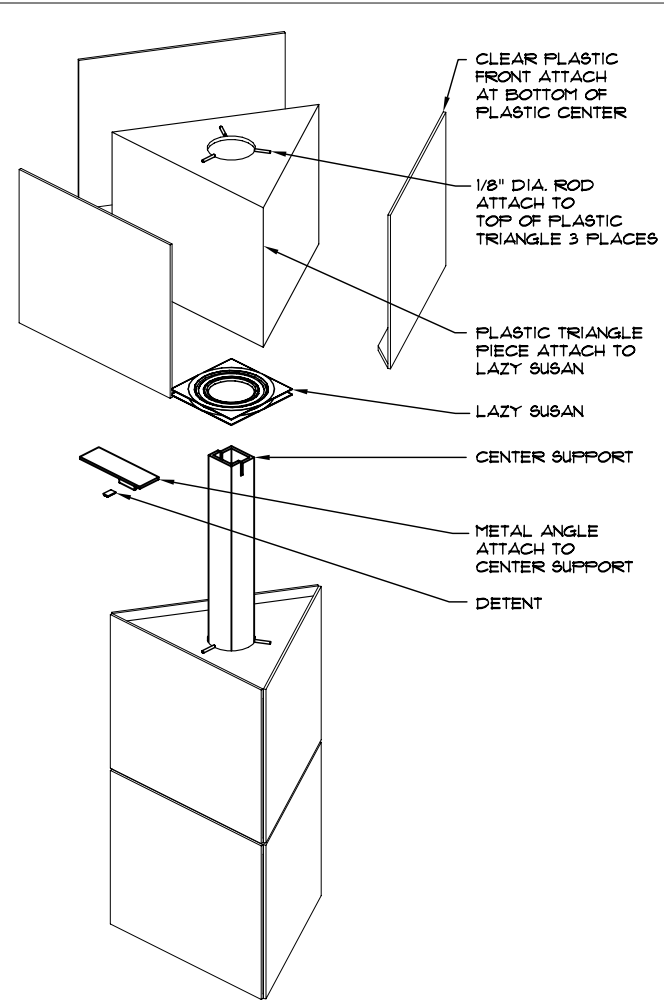


SECTION



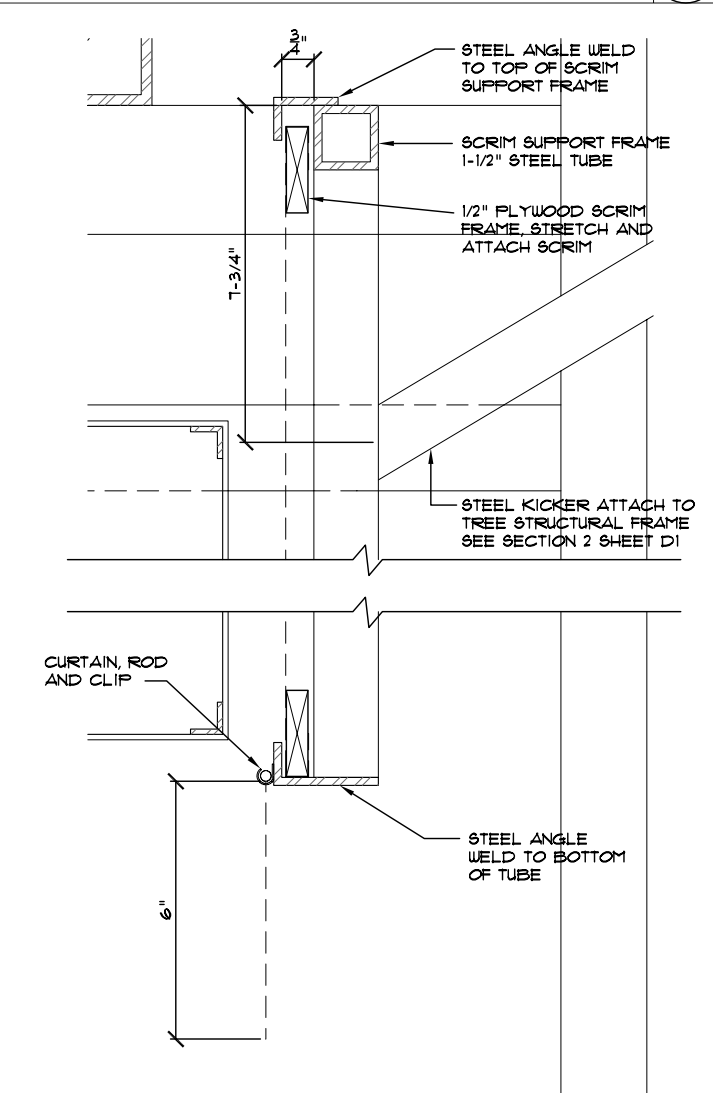
3

EXPLODED VIEW



4

SCRIM FRAME DETAIL



5

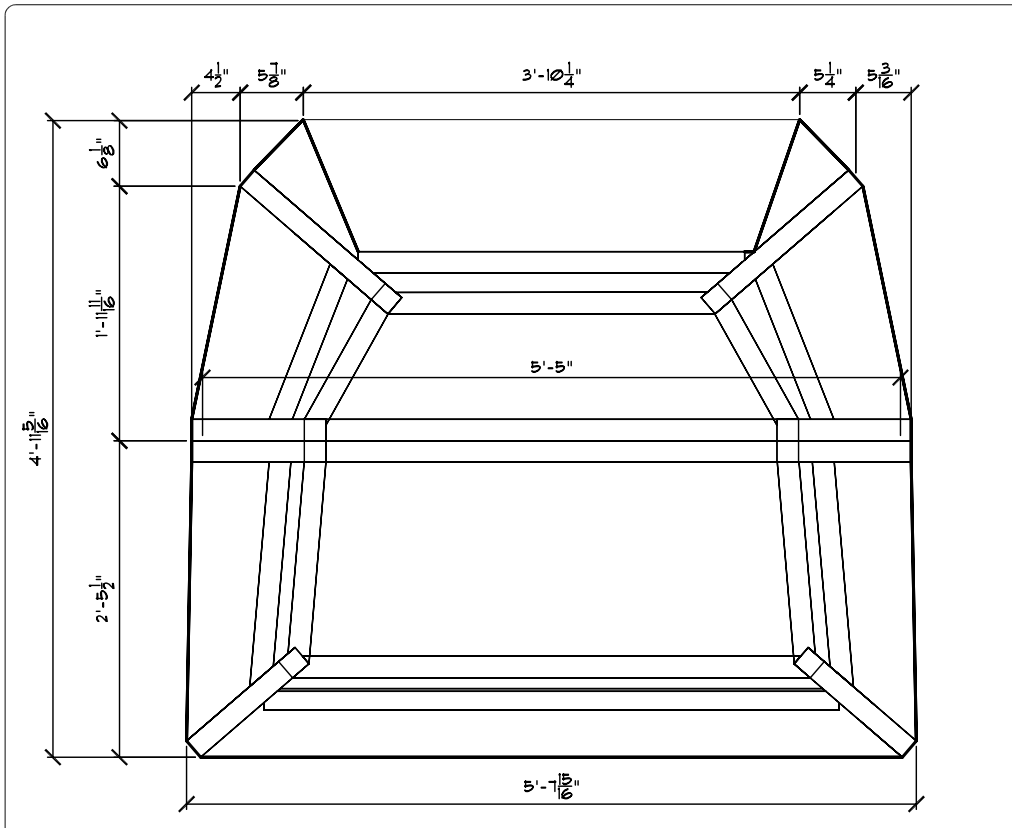
4418 WYCHREST WAY  
LA CANADA, CA 91011  
TEL 909 787 1122

REV	DATE	DESCRIPTION

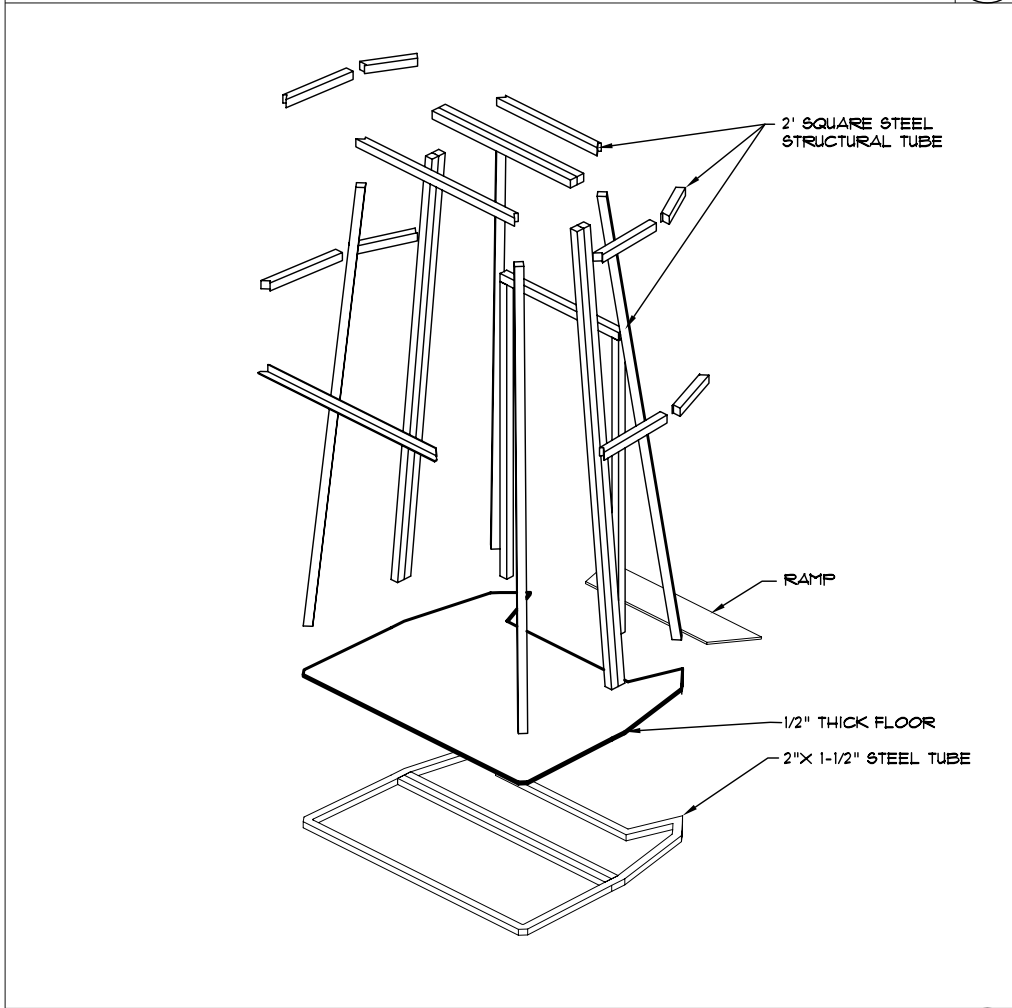
Highland Sam Racadio Library &  
Environmental Learning Center  
7863 Central Avenue, Highland, California  
CITY OF HIGHLAND  
27215 Baseline Street  
Highland, California 92346

SHEET TITLE: GAME BOX DETAILS  
PROJECT TITLE: THEMED PUPPET AND GAME DISPLAY UNIT

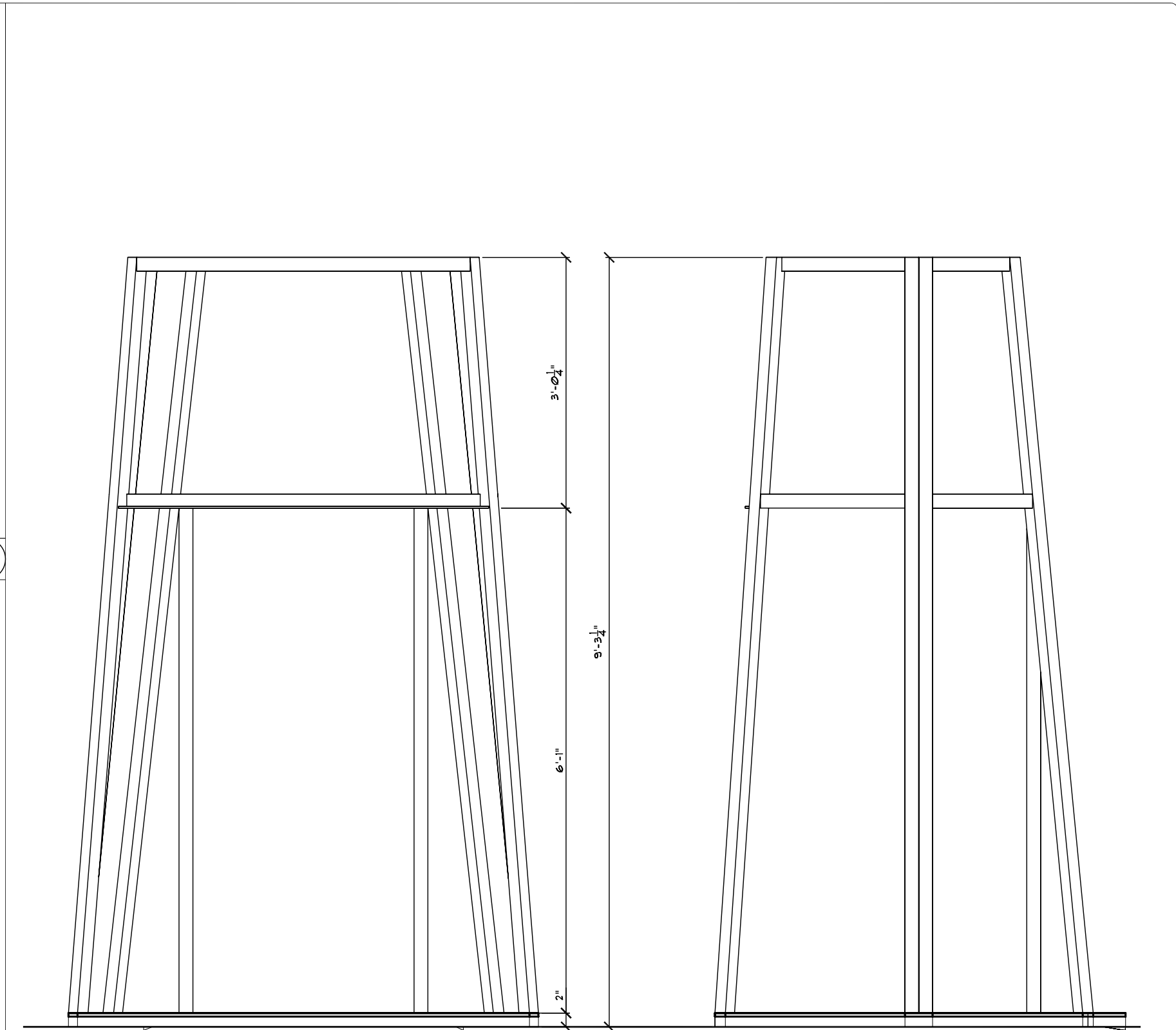
SHEET NO.	D4
DATE	12-19-07
SCALE	AS NOTED
SHEET	4 OF 5
REVISION NO.	△



PLAN 1



ISOMETRIC ELEVATION 2



FRONT ELEVATION SIDE ELEVATION

ELEVATIONS 3

4416 WYCHERST WAY  
LA CAJON, CA 91011  
TEL: 951-709-1188

REV	DATE	DESCRIPTION

Highland Sam Racadio Library &  
Environmental Learning Center  
7863 Central Avenue, Highland, California  
CITY OF HIGHLAND  
27215 Baseline Street  
Highland, California 92346

SHEET TITLE: TREE STRUCTURE PLAN AND ELEV  
PROJECT TITLE: THEMED PUPPET AND GAME  
DISPLAY UNIT

SHEET NO.	D5
DATE	12-19-07
SCALE	AS NOTED
SHEET	5 OF 5
REVISION NO.	

NOTES: THE INFORMATION ON THIS DOCUMENT IS A CONFIDENTIAL TRADE SECRET BELONGING TO SHAW CORP. WITH. UNLESS OTHERWISE INDICATED, THE CONTENTS IS HEREBY FORWARDED BY SHAW CORP. WITHOUT WARRANTY OR LIABILITY.

